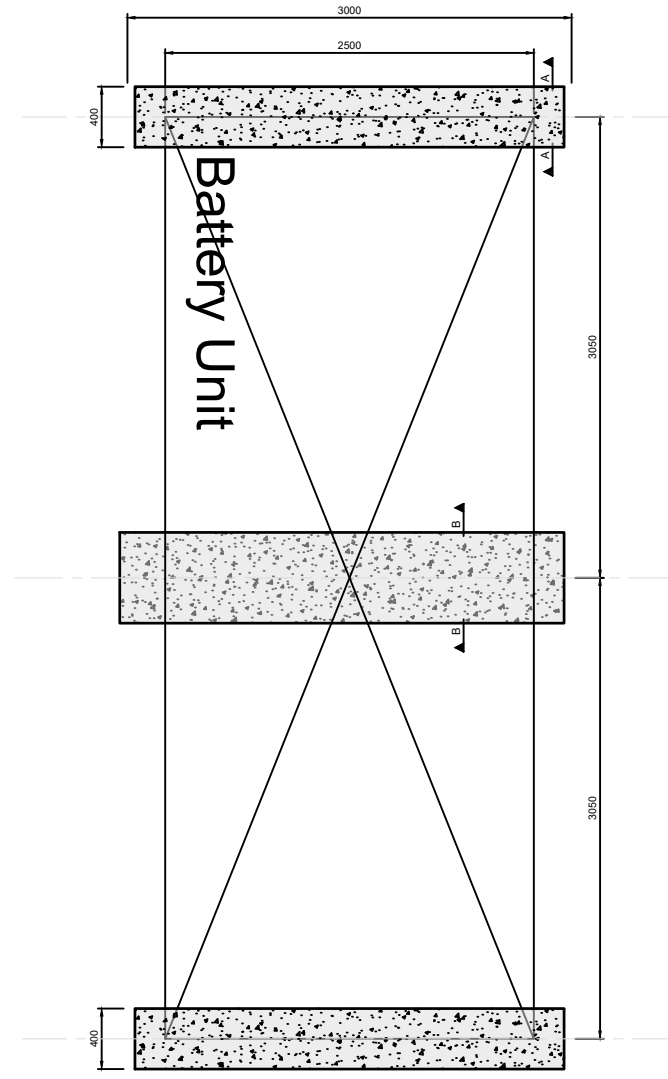


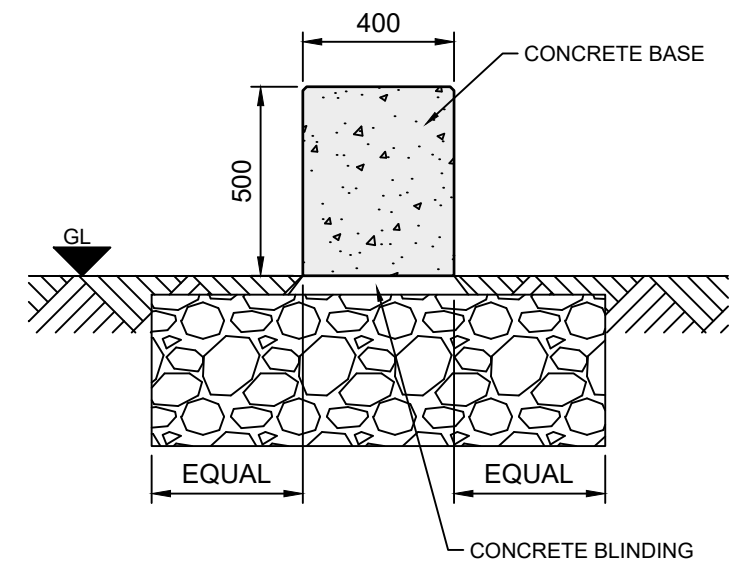
LEGAL: NATURAL POWER CONSULTANTS LTD TAKE NO RESPONSIBILITY FOR THE ACCURACY OF DATA PROVIDED BY THIRD PARTIES.

NOTES:

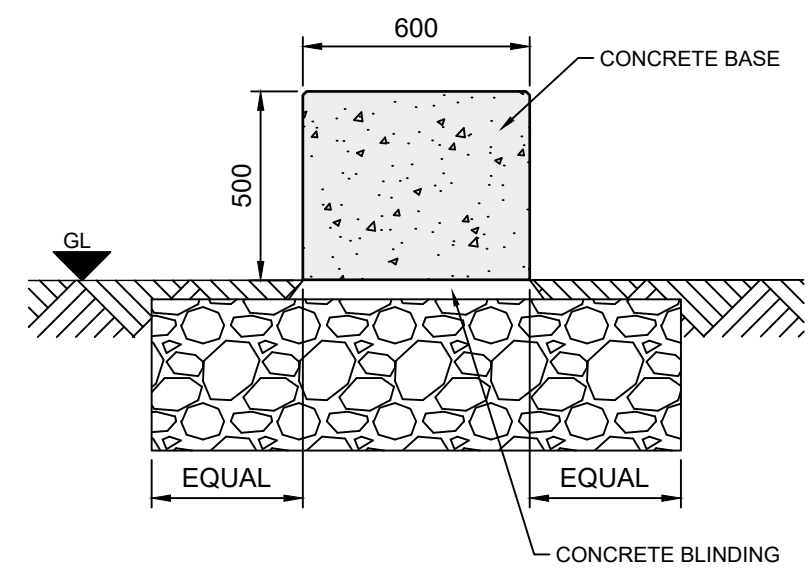
1. ALL DIMENSIONS ARE IN METRES UNLESS OTHERWISE STATED.
2. THIS IS AN INDICATIVE ARRANGEMENT ONLY.
3. FINAL DIMENSIONS TO BE DETERMINED DURING DETAILED DESIGN.



INDICATIVE BATTERY FOUNDATION PLAN
SCALE 1:50



SECTION A-A THROUGH BATTERY FOUNDATION
SCALE 1:20



SECTION B-B THROUGH BATTERY FOUNDATION
SCALE 1:20

A	FIRST ISSUE	MH	MB	CG	14/06/23
REV	DESCRIPTION	BY	CH	APP	DATE

CLIENT:
TOFTINGALL WIND LTD

NATURAL POWER CONSULTANTS LTD.
OCHIL HOUSE
SPRINGKERSE BUSINESS PARK
STIRLING
FK7 7XE
SCOTLAND,UK
TEL: +44 (0) 1786 542 300
WWW.NATURALPOWER.COM



IFS DOC NO.: 1322253	IFS ACTIVITY: 304.30310
----------------------	-------------------------

SCALE: VARIOUS @ A3	SHEET NO.: 1 OF 1
---------------------	-------------------

STATUS: **FOR INFORMATION**

PROJECT: LOCH TOFTINGALL BESS

DRAWING TITLE: INDICATIVE BATTERY FOUNDATION
PLAN & SECTIONS A-A & B-B

DRAWING NO.: 17959_DET_3001	REVISION A
-----------------------------	-------------------